

Product Selection

ZAM Modules

Model	Description
4090-9101	Zone Adapter Module for Class B monitoring of 2-wire or 4-wire initiating devices; with power reset connections for 4-wire devices
4090-9106	Zone Adapter Module for Class A monitoring of 2-wire initiating devices

Optional Adapter and Trim Plates

Model	Description
4090-9813	Adapter plate to fit 4 $1\frac{1}{16}$ " (119 mm) square electrical box
4090-9801	For semi-flush mounted box
4090-9802	For surface mounted box

Trim plate with LED viewing window, includes mounting screws; galvanized steel

End-of-Line Resistor Harness

Model	Reference No.	Description
4081-9002	733-893	3.3 k Ω , 1 End-of-Line Resistor Harness for 4090-9101, Class B zone monitoring

Monitor ZAM Two-Wire Initiating Device Compatibility Reference Chart

Description	Model	Compatible Bases	Maximum Quantity
Direct connect photoelectric smoke detector	2098-9209	No base required	20
Electronic heat detectors	4098-9401		
	4098-9402		
	4098-9403		
	4098-9404		
	4098-9612	4098-9788	20
4098-9613	4098-9684		
Photoelectric smoke detectors	4098-9614	4098-9683	1
	4098-9615		
	4098-9601		
Ionization smoke detector	4098-9602	4098-9683	1
	4098-9605		
Duct detector housing with 4098-9601 detector	4098-9603	4098-9788	20
		4098-9683	1
Duct detector housing with 4098-9601 detector	4098-9685	N.A.	20

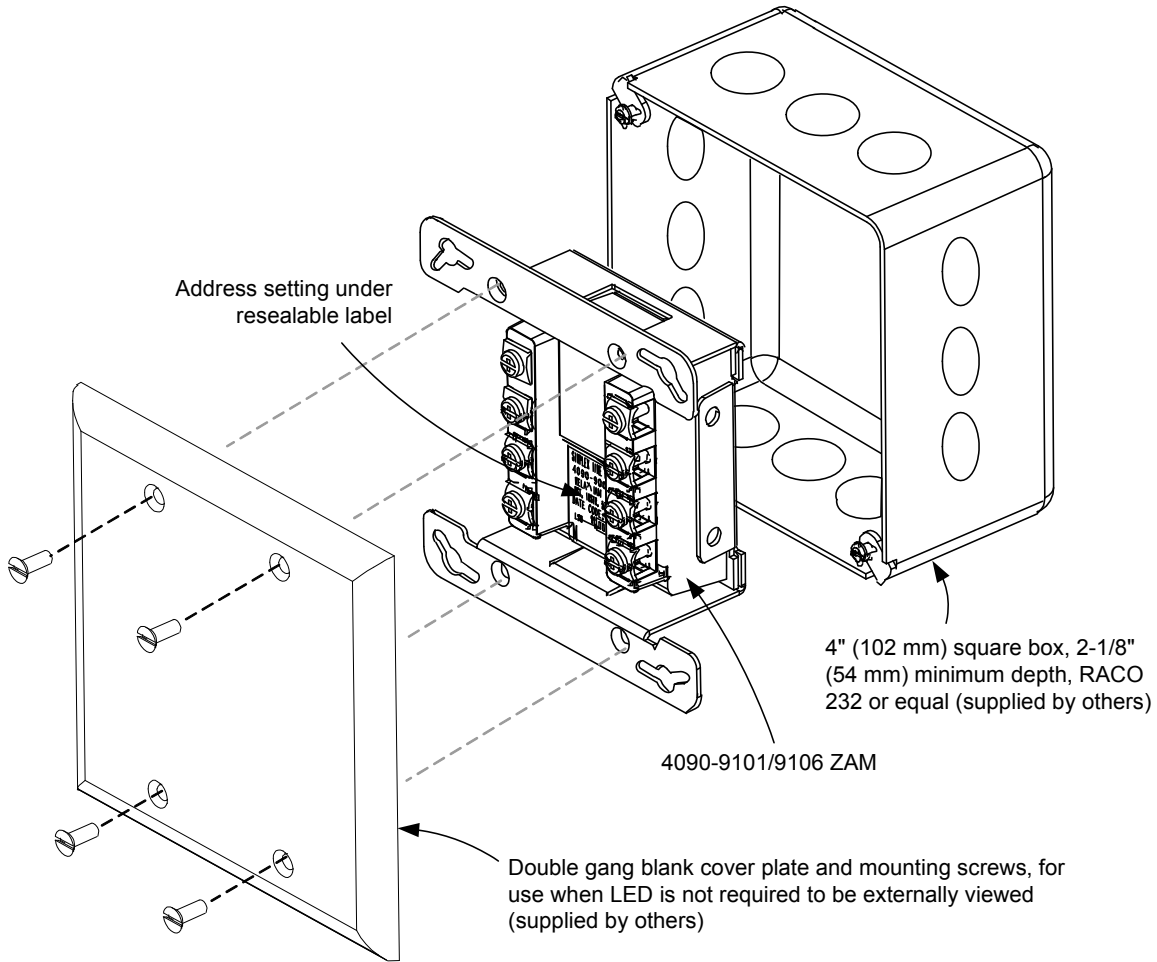
Reference for Existing Equipment

Description	Model	Compatible Bases	Maximum Quantity
Smoke detectors	2098-9201	2098-9211	20
	2098-9202		
	2098-9203	2098-9637	1
	2098-9576		
Electronic heat detectors	4098-9407	2098-9211	20
	4098-9408		
	4098-9409		
	4098-9410		

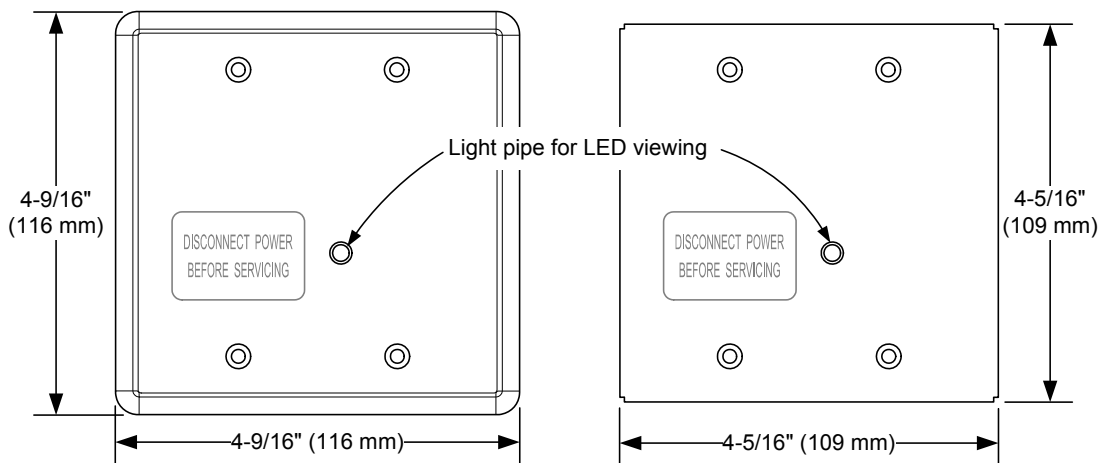
NOTES:

- Four-wire detector operation is compatible with conventional listed contact closure initiating devices.
- Four-wire detectors require detector voltage to be connected to resettable power terminals.
- Refer to installation instructions 574-183 and field wiring diagram 842-073 for additional information.
- Contact your local Simplex product supplier for additional compatible devices.

ZAM Mounting Information



Mounting Reference, Double Gang Blank Cover Plate



4090-9801, Trim plate for semi-flush mounted box

4090-9802, Trim plate for surface mounted box

Optional Trim Plates for Visible LED

TYCO, SIMPLEX, and the product names listed in this material are marks and/or registered marks. Unauthorized use is strictly prohibited.



Tyco Fire Protection Products • Westminster, MA • 01441-0001 • USA
www.simplex-fire.com

S4090-0003-4 11/2014

© 2014 Tyco Fire Protection Products. All rights reserved. All specifications and other information shown were current as of document revision date and are subject to change without notice.